

Rapid-deployment body scanner



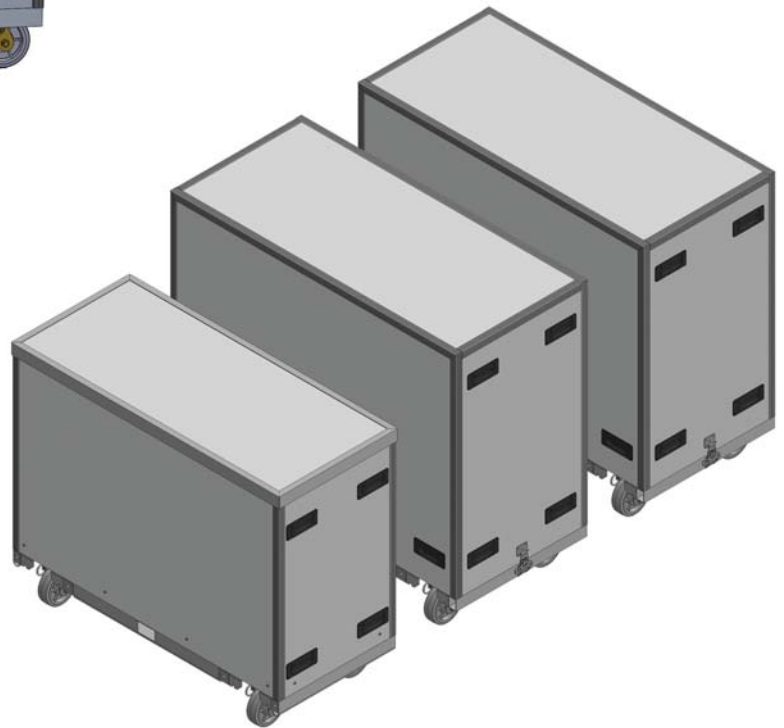
Key Features

- **Superior detection capability**
Detects both metallic and nonmetallic threats hidden under the clothing
- **15-minute set-up & teardown**
Use at special events, military operations and dignitary protection
- **Breakthrough ATD**
Automated threat detection provides privacy without sacrificing detection
- **Fast screening**
Up to 200 persons/hour; ATD allows operation with a single operator

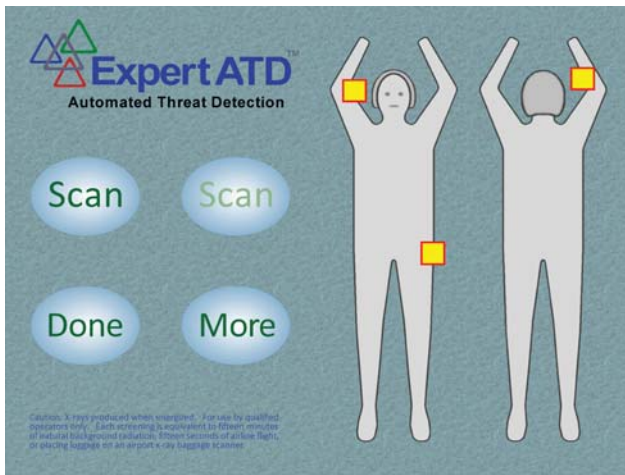
Same thorough screening as our airport body scanner; now with a modular design for quick set-up

Traveler™ ships to event sites in three rugged containers. Installation requires only about 15-minutes by a single technician plus an on-site helper. Electrical power is provided by a standard electrical outlet, or by an optional battery pack lasting up to 12 hours.

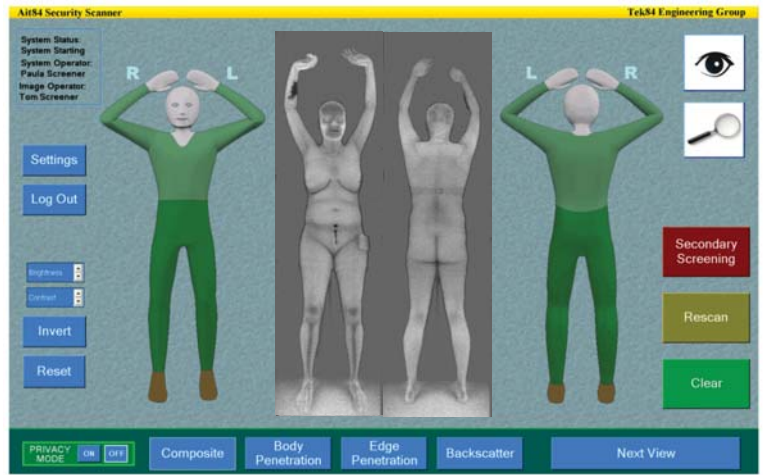
Triple-mode screening provides the utmost in threat detection: *Backscatter* examines the front and rear of the body; *Forward-Scan* the sides and loose clothing; and *Ground-Level* for the ankles and feet. Quickly and reliably finds firearms, explosives, and improvised threats.



Available 4rd Quarter 2018



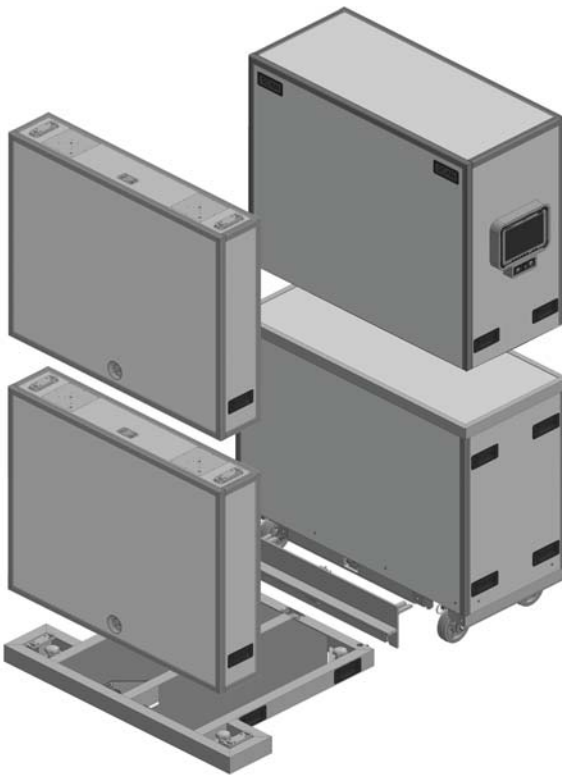
ATR displayed at scanner



Scanned images displayed remotely

Easy to use software

ATD software shows the concealed objects as yellow boxes on a generic outline of the body, providing excellent detection with full privacy. In higher security applications the raw images are display at a remote location. The software is intuitive and easy to learn; only a few minutes instruction is needed.



Quick assembly, no tools required

Traveler™ breaks into five major assemblies for transport, *without the need for tools*. Set-up is quick and simple—remove from the shipping crates, snap together, plug into a wall outlet and begin screening. Installers and operators do not need a technical background.

Traveler™ Specifications

Physical

Operation

Footprint: 50" x 62" (127 x 158 cm)
 Height: 80" (203 cm)
 Weight: 450 lbs (205 kg)

Transport

1 Crate: 50" x 23" x 45" high (127 x 58 x 114 cm)
 300 lbs (136 kg)
 2 Crates: 54" x 25" x 48" high (137 x 63 x 122 cm)
 200 lbs (91 kg)

Electrical

Power: 100/120/230 VAC, 50/60 Hz, 600 watt
 Tolerant of poorly regulated power
 EMI/RFI: Tested to FCC PART 15
 Safety: Certified to UL61010-1

Environmental

Operating: 32-120°F (0- 50°C)
 Humidity: Less than 95%, noncondensing

Radiation Safety

Dose: 5 uRem (0.05 uSv) per screening, effective dose to subject measured in accordance with ANSI/HPS N43-17-2009
 Leakage: <0.1 mR (1 uGy) in any 1 hour at the footprint of the scanner.
 Standards: Complies with the ANSI/HPS N43.17-2009 radiation safety standard; and the IEEE N42.47-2010 performance standard

Screening

Scan rate: Up to 200 persons per hour. Dual pose operation: 5 second scan on front, subject turns, 5 second scan on rear, ATD requires less than 1 second to display
 Detection: Broad range of metallic and non-metallic threats; contact Tek84 for testing results

Tek84

13495 Gregg Street
 Poway, CA. 92064 USA
 858-676-5382 Contact@Tek84.com

Tek84 develops and manufactures innovative security products. Our engineers developed the world's first body scanner (1991); the highest resolution surveillance camera (2001); and the first drive-through car bomb detection portal (2009).